

Bulldog Telescopic Post Fitting Instructions.

READ ALL THE INSTRUCTIONS BEFORE INSTALLING OR OPERATING POST. SHOW THE POST OPERATING INSTRUCTIONS TO ANYONE USING THE POST.

A. INSTALLATION.

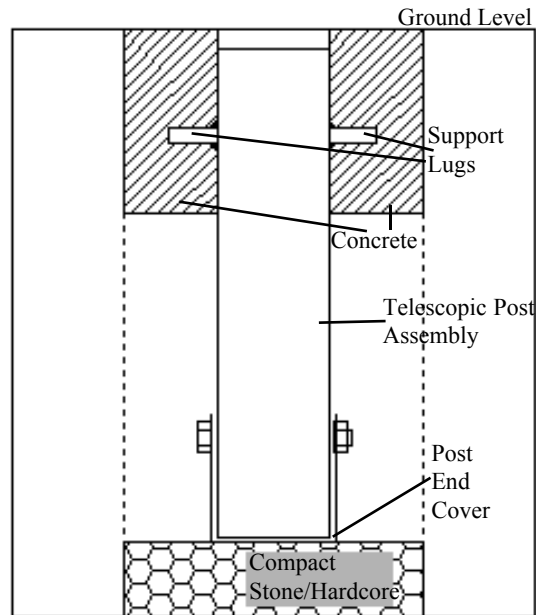
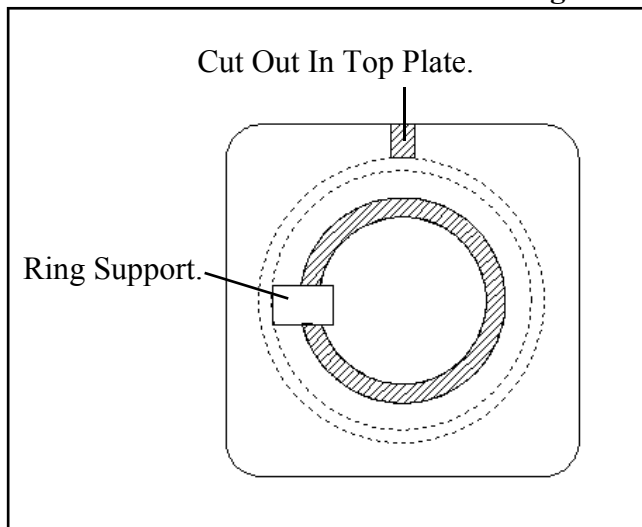


Fig 1.

Excavate out a hole deep enough to take post plus a base of compact stone/hardcore. **Take care to check for buried cables or pipes.** Concrete around top of post so that post top is at ground level. Form concrete under support lugs to help hold post in position. **NOTE: Never fit a post without post end cover.**

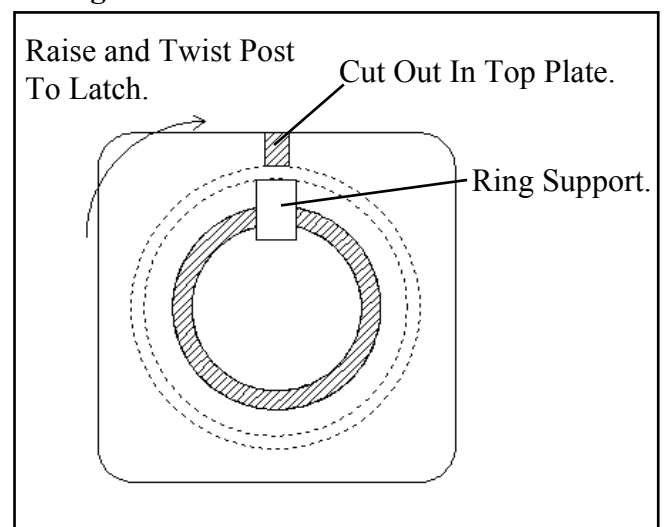
B. POST OPERATION.

Fig 2.



Post in position for raising and lowering.

Fig 3.



Latched position when post is raised.

NOTE: In latched position hole for lock bar is aligned with cut out in top plate cut out. (Also see Fig 4).

To operate post use lifting ring. Fully raise post (Fig 2) then rotate post 1/4 turn clockwise so that ring support is aligned with cut out in top plate. In this position the post will remain latched, and hole for Lock Bar is also aligned with cut out in top plate.

WARNING: Never place your finger in lock bar hole even with post latched. Severe injury could result should post fall/telescope inward.

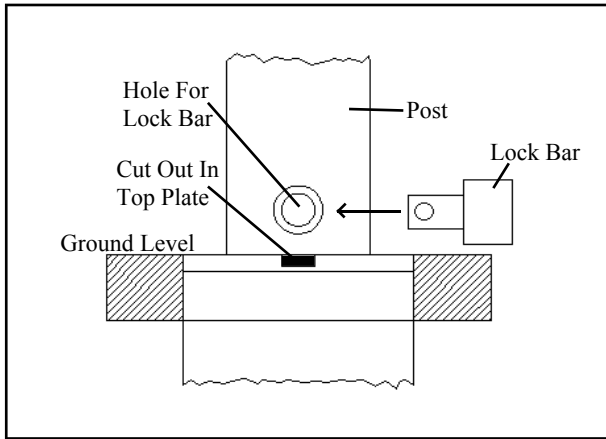


Fig 4.

Post in fully raised and latched position.

To Operate Lock. Insert key, rotate 1/4 turn anti-clockwise and insert into hole in post. Turn key 1/4 turn clockwise and remove key. Fit plastic cover over lock bar head.

To Unlock. Insert key, rotate 1/4 turn anti-clockwise and remove from hole.

NOTE: Only remove lock bar when post is in its latched position. Should post be resting on lock bar head raise and latch post before attempting to remove lock bar.

Lowering Post.

Once lock bar has been removed lower post by rotating 1/4 turn anti-clockwise whilst supporting post weight on lifting ring, then slowly lower post. Do not allow post to fall un-supported. Ensure lifting ring folds down into post top.

We have taken every care in the design and manufacture of this security device and we believe that it is an effective deterrent. However we cannot guarantee that it will resist the efforts of the most determined thief, and as such we do not accept any liability for loss or damage caused by theft, vandalism or other illegal activity against property to which this device is fitted.

Lock Lubrication.

IMPORTANT - To ensure free movement of the lock, spray outside of lock body with WD40 (or equivalent) minimum every four months.

Key Security. Enter your key number here:

IMPORTANT - Your Bulldog product is supplied with two keys. Make a note of your personal key number in the space provided above and **keep it in a safe place.** Should you lose your keys, replacements can only be obtained from the manufacturer through your dealer.



TP01-1

This product is guaranteed for 12 months from the date of purchase. In the unlikely event of a manufacturing fault arising with the product, Bulldog will replace or repair the product free of charge. This guarantee is only valid if the product has been used as directed and a valid proof of purchase is provided. This does not affect your statutory rights.